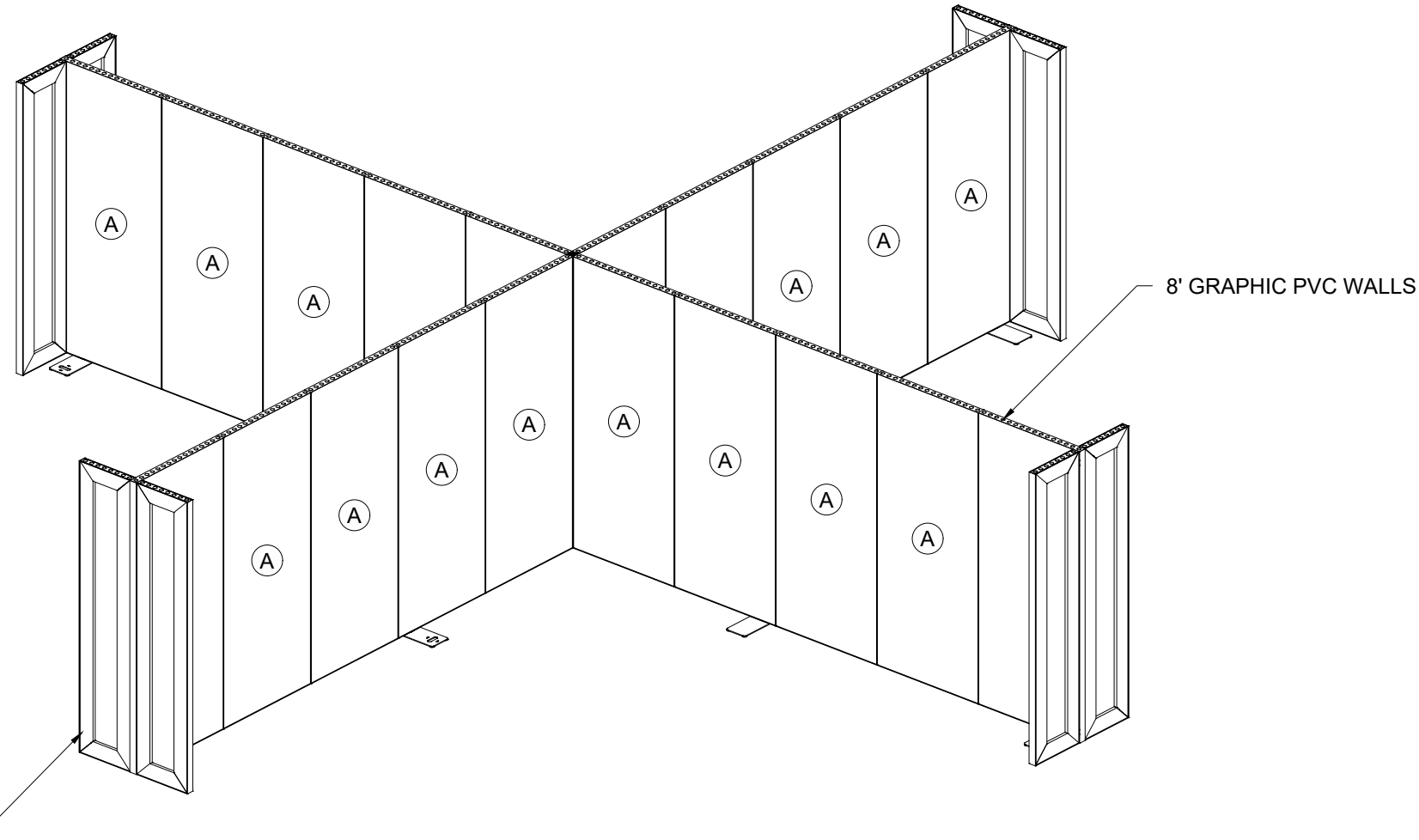
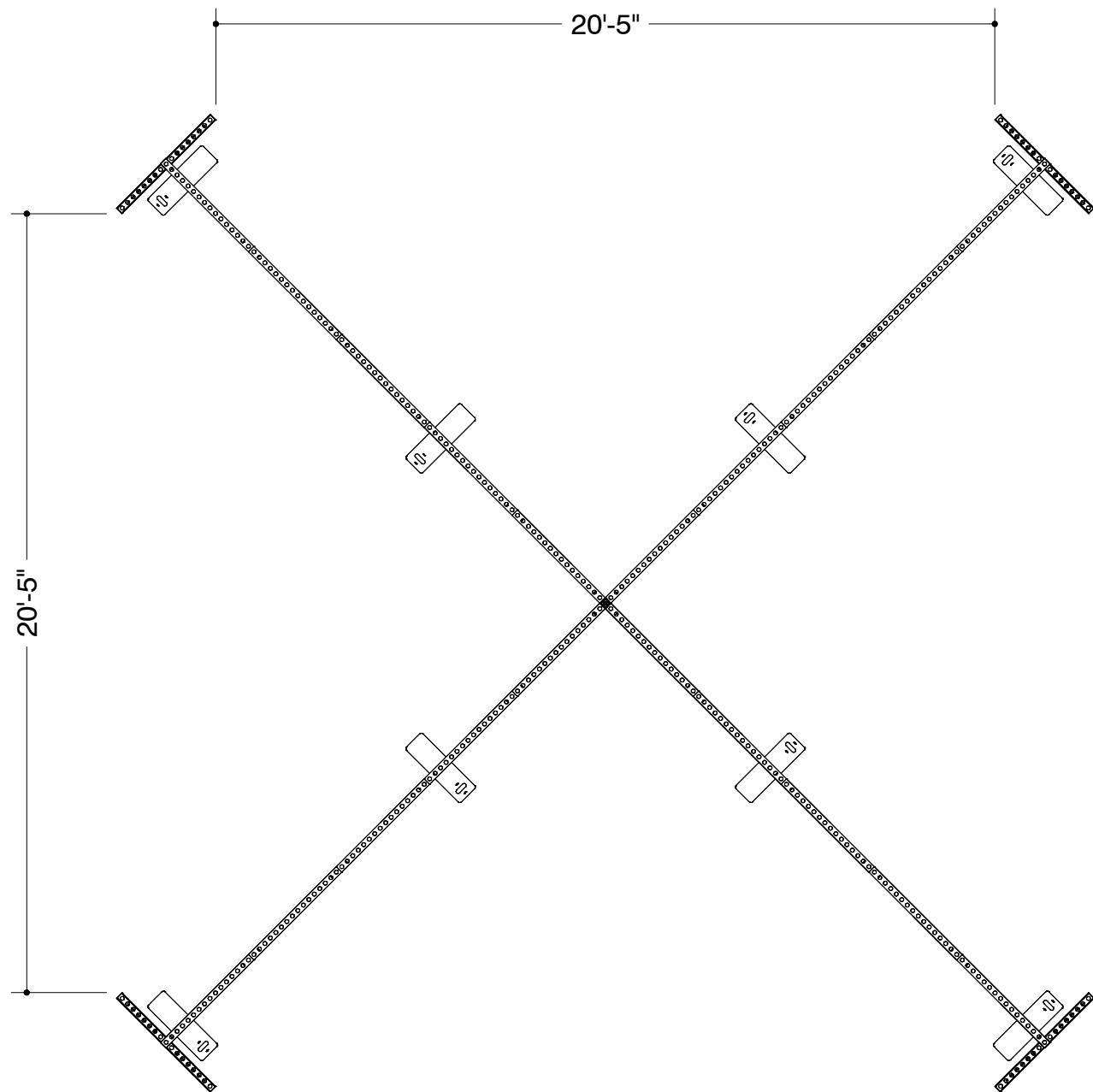


Am Small Business Dev Ctr
Annual Mtg

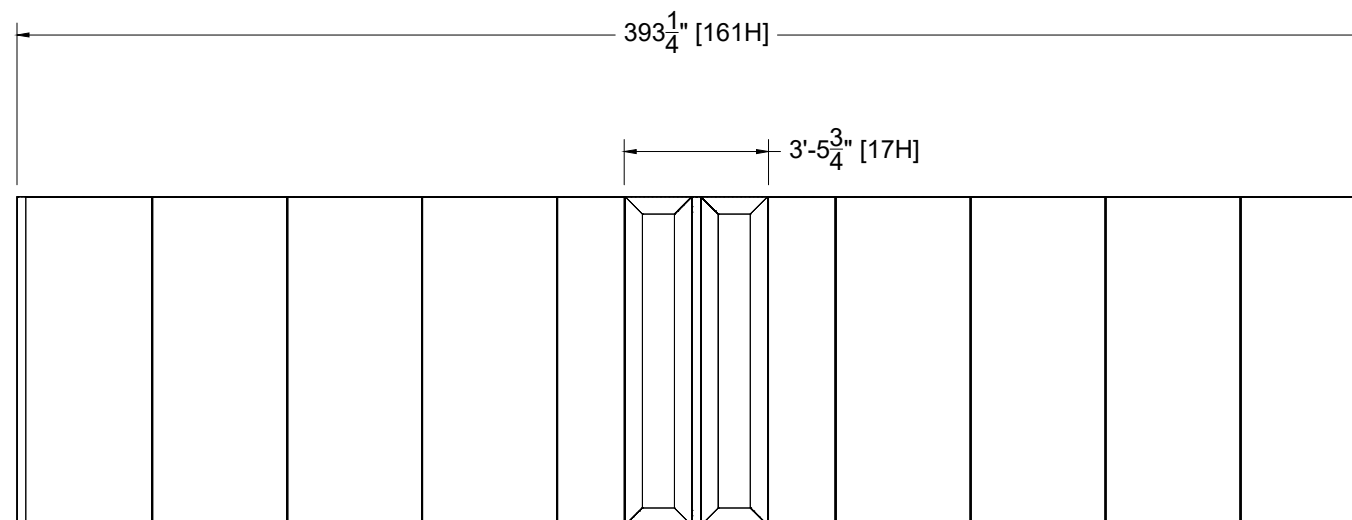


PULL LIST

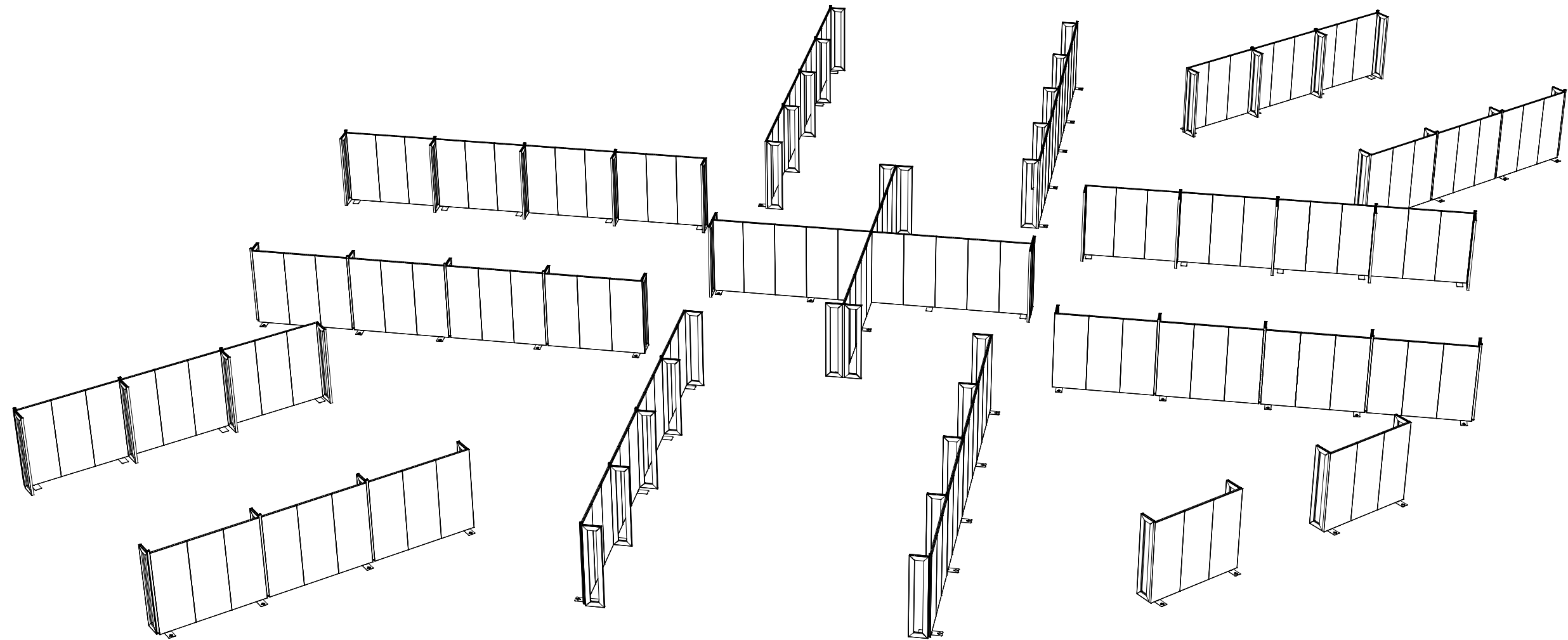
I.D.	Qty	Type	Size	Area (SqFt)	Part Number	Description	Material	Color	Notes	Low Inv.	Weight
	8	FLEX Frame-Straight	19-1/2" x 95-3/16" (19.5" x 95.2")		60400028	Straight Frame 08 Hole x 39 Hole	Aluminum	Silver	SF08390001		123.44
	20	FLEX Frame-Straight	39-1/16" x 95-3/16" (39.062" x 95.188")		60400043	Straight Frame 16 Hole x 39 Hole	Aluminum	Silver	SF16390001		361.20
	4	FLEX Acc-Corner Post	2" x 95-3/16"		<<CUSTOM>>	Post PVC Infill (39 hole)	PVC	Light Gray			
	1	FLEX Acc-Corner Post	95-3/16"		60990009	Shell scheme post (39 hole)	Steel	Gray	CO612SSP39001		7.80
BM	8	FLEX Acc-Base Plate	7-5/16" x 24-7/16" x 0-7/16"		60440082	Base plate medium	Steel	Silver			100.48
C20	8	FLEX Acc-Pin Plate	Standard		60440055	Stainless steel 90° connector base	Steel	Stainless	CO901280222INOX		7.12
C1	32	FLEX Part-Connector	Standard		60440043	Manual Clamp Connector	Aluminum	Silver	CO90120250132POM		11.84
C10	46	FLEX Part-Connector	Standard		60440047	Manual M8 Pin Connector	Aluminum	Silver	CO90120480066MKII		10.12
	8	FLEX Insert Acrylic	12-1/4" x 87-15/16" (12.25" x 87.938")	7.5	<<CUSTOM>>	Flex Insert Acrylic [8 x 39 Hole]	Acrylic 1/8	Clear	w/ Female Velcro		
A	40	FLEX Insert Graphic	38-3/4" x 94-15/16" (38.75" x 94.938")	25.5	<<CUSTOM>>	FLEX Insert Graphic - Graphic	PVC 3MM	Graphic	w/ Female Velcro		
	32	Flex Insert	5" x 19-1/4" (5.0" x 19.25")	0.7	60160118	PVC-WFC 08 HOLE PANEL	PVC 3MM	White	w/ Female Velcro	X	9.60
	32	Flex Insert	5" x 94-15/16" (5.0" x 94.938")	3.3	60160119	PVC-WFC 39 HOLE PANEL	PVC 3MM	White	w/ Female Velcro	X	9.60
O39	4	Overlay Panel	2-7/16" x 95-3/16"	1.6	<<CUSTOM>>	Cover Profile 39 Hole	PVC 3MM	White			
	8	FLEX PVC Cover	2-7/16" x 95-3/16"		<<CUSTOM>>	Cover Profile 39 Hole	PVC 3MM	White			
				Total Area:	38.60					Total Weight:	641.20



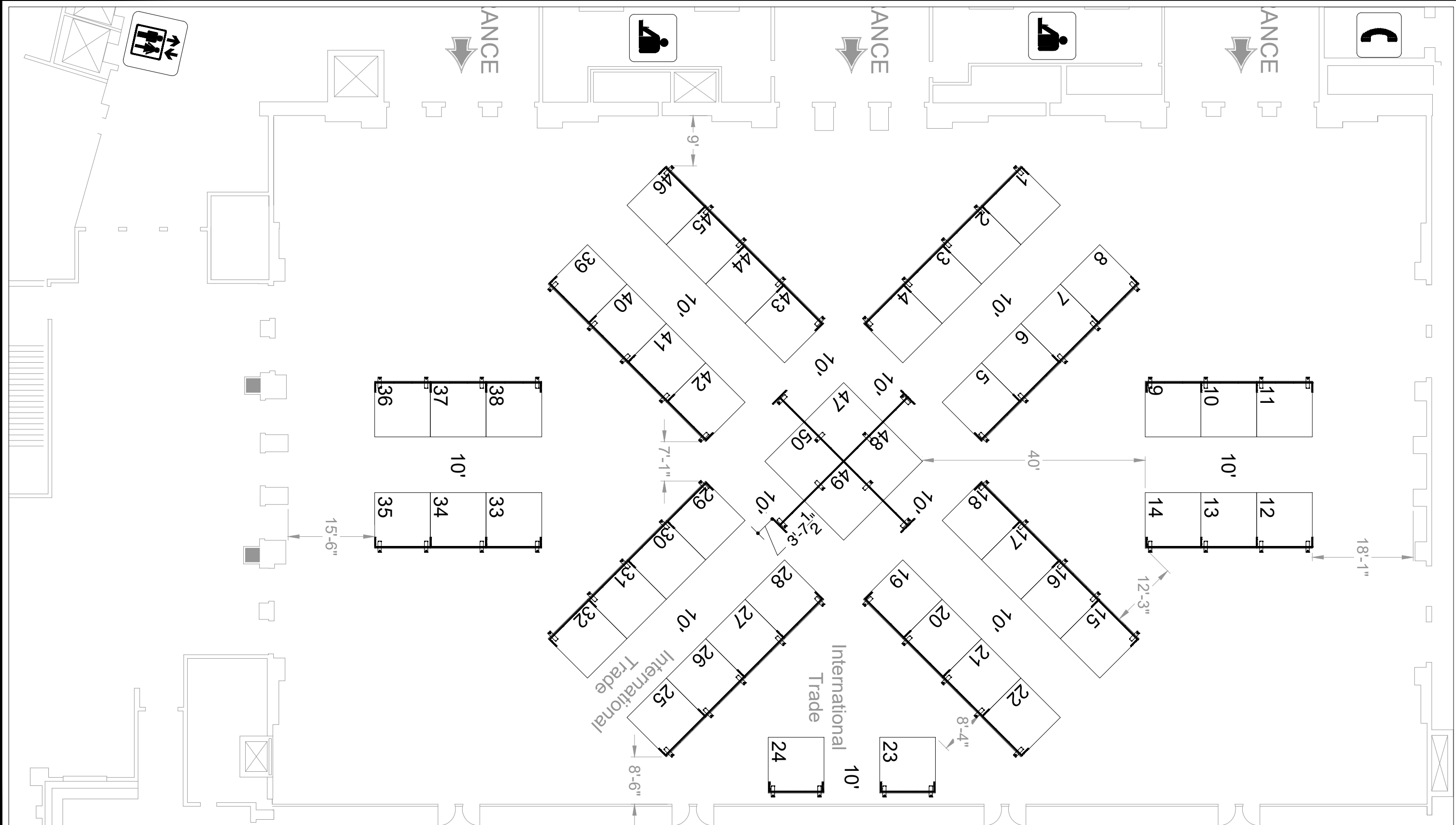
PLAN VIEW



FRONT ELEVATION



Am Small Business Dev Ctr
Annual Mtg



OVERALL FLOORPLAN
Scale: 15/256" = 1'-0"